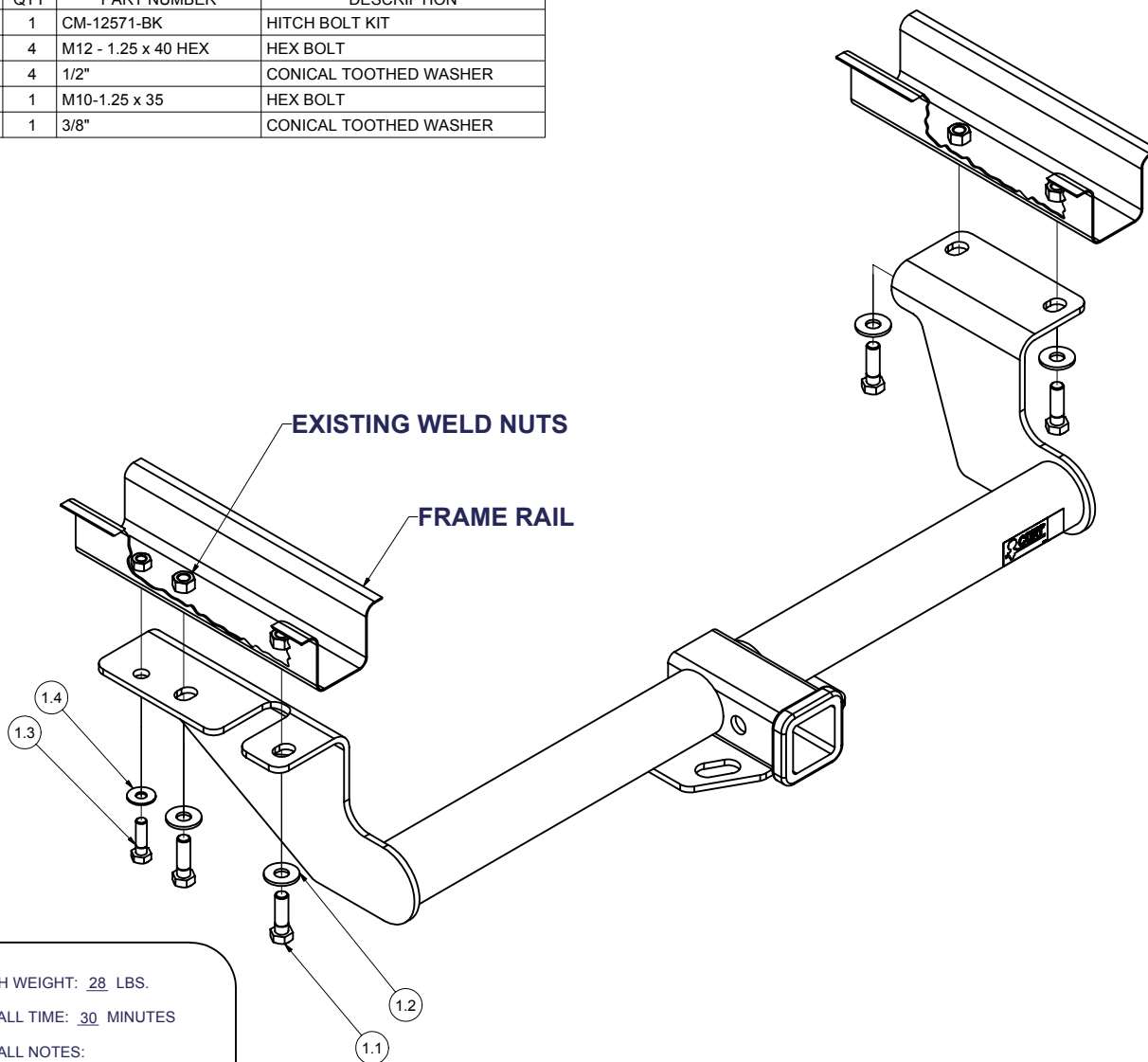


GROSS LOAD CAPACITY WHEN USED AS A WEIGHT CARRYING HITCH: 3,500 LBS. TRAILER WEIGHT & 350 LBS. TONGUE WEIGHT. *DO NOT EXCEED VEHICLE MANUFACTURER'S RECOMMENDED TOWING CAPACITY.*****

Parts List			
ITEM	QTY	PART NUMBER	DESCRIPTION
1	1	CM-12571-BK	HITCH BOLT KIT
1.1	4	M12 - 1.25 x 40 HEX	HEX BOLT
1.2	4	1/2"	CONICAL TOOTHED WASHER
1.3	1	M10-1.25 x 35	HEX BOLT
1.4	1	3/8"	CONICAL TOOTHED WASHER



HITCH WEIGHT: 28 LBS.
 INSTALL TIME: 30 MINUTES
 INSTALL NOTES:

INSTALLATION STEPS

- 1) Remove the tie down bracket under driver's side frame rail. Lower vehicle's exhaust enough to allow hitch assembly to pass over twin exhaust tips and position under frame rails. Support the exhaust to prevent damage.
- 2) Use conical washers and metric fasteners to attach hitch under frame rails at existing weld nuts as shown in diagram.
- 3) Torque M12 fasteners to 65 lb.-ft. Torque M10 fasteners to 38 lb.-ft.

PERIODICALLY CHECK THIS RECEIVER HITCH TO INSURE THAT ALL FASTENERS ARE TIGHT AND THAT ALL STRUCTURAL COMPONENTS ARE SOUND.