



13013 Installation Instructions

Toyota Tacoma

GROSS LOAD CAPACITY WHEN USED AS A WEIGHT CARRYING HITCH:
5,000 lbs. trailer weight & 500 lbs. tongue weight.

GROSS LOAD WHEN USED WITH A WEIGHT DISTRIBUTING HITCH:
6,000 lbs. trailer weight & 600 lbs. tongue weight.

DO NOT EXCEED VEHICLE MANUFACTURER'S RECOMMENDED TOWING CAPACITY!

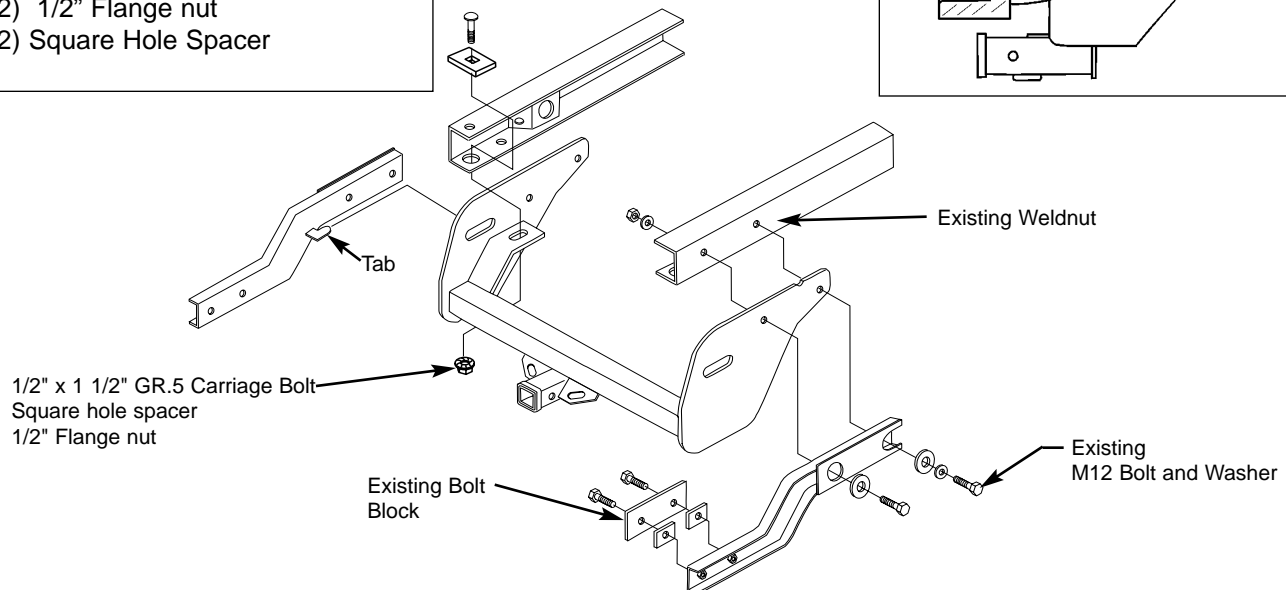
1. Disconnect the license plate wiring connectors from the bumper.
2. Remove the two bolts mounting the bumper to the bumper brackets on each side. Remove the bumper from the vehicle.
3. Remove bumper brackets from frame rails and the two bolts each side.
4. Position the receiver against the frame and install 1/2" bolts and block through the rear mount hole in the frame rail into angle bracket.
5. Re-install bumper brackets over receiver side bracket placing tab through hole provided in side bracket.
6. Re-install bumper using existing fasteners removed in step 2 and adjust bumper and reconnect license plate wiring connection.

Tighten M12, CL8.8 Fasteners to 68 lb-ft.

Tighten 1/2"-13 Grade 5 Fasteners to 75 lb-ft.

CHECK ALL PARTS:

- (1) Receiver Hitch
- (2) 1/2" x 1 1/2" GR.5 Carriage Bolts
- (2) 1/2" Flange nut
- (2) Square Hole Spacer



Curt Manufacturing Inc. warrants this product to be free of defects on material or workmanship at the time of retail purchase by the original purchaser. If the product is found to be defective, Curt Manufacturing Inc., may repair or replace the product, at their option, when product is returned, prepaid, with proof of purchase. Alteration to, misuse of, or improper installation of product voids this warrant. Curt Manufacturing Inc.'s liability is limited to repair or replacement of products found to be defective, and specifically excludes liability for incidental or consequential loss or damage.