

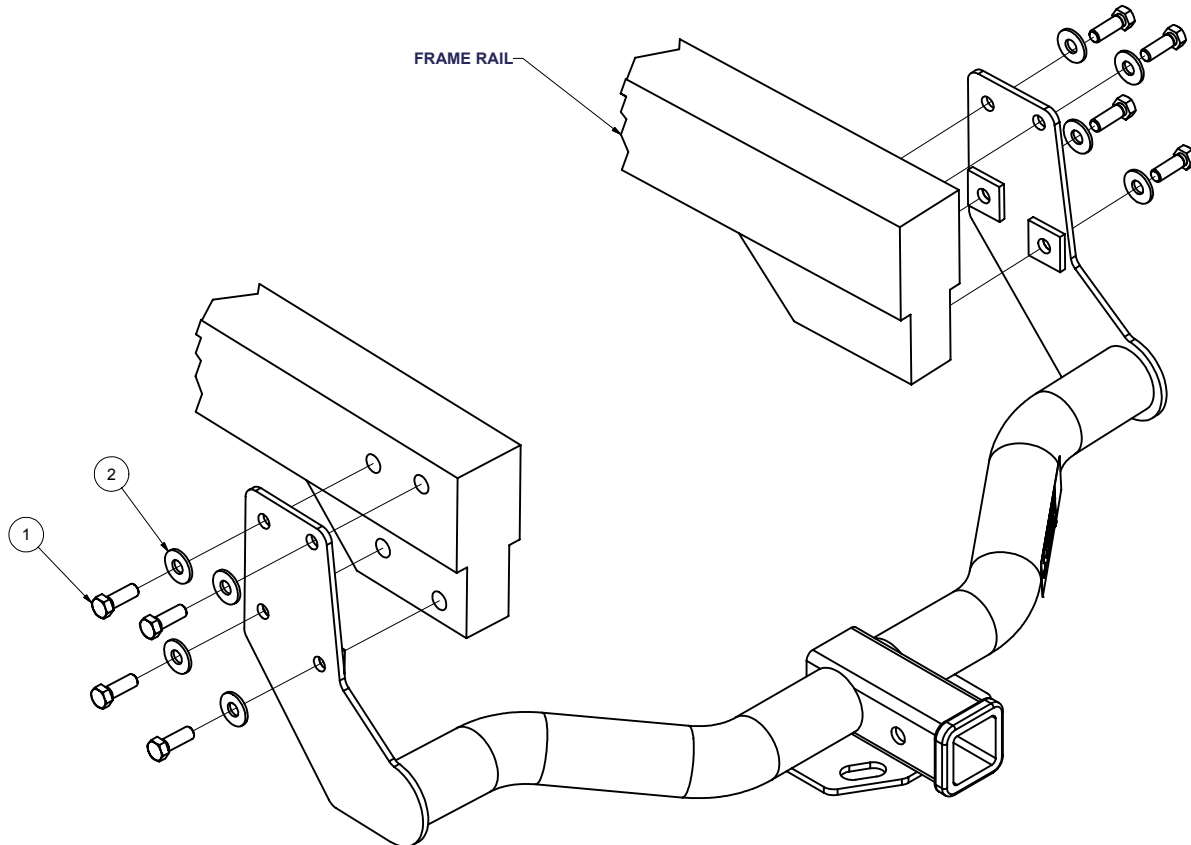


13156

INFINTI QX4, NISSAN PATHFINDER

GROSS LOAD CAPACITY WHEN USED AS A WEIGHT CARRYING HITCH: 5,000 LBS. TRAILER WEIGHT & 500 LBS. TONGUE WEIGHT.
GROSS LOAD CAPACITY WHEN USED AS A WEIGHT DISTRIBUTION HITCH: 6,000 LBS. TRAILER WEIGHT & 600 LBS. TONGUE WEIGHT
*****DO NOT EXCEED VEHICLE MANUFACTURER'S RECOMMENDED TOWING CAPACITY.*****

Parts List			
ITEM	QTY	PART NUMBER	DESCRIPTION
1	8	M12-1.25 x 35mm	HEX BOLT
2	8	1/2"	CONICAL TOOTHED WASHER



HITCH WEIGHT: 28 LBS.
INSTALL TIME: 15 MINUTES
INSTALL NOTES:
NO DRILLING REQUIRED

INSTALLATION STEPS

- 1) If present remove tow hooks from vehicle frame (Both sides).
- 2) Raise hitch into position aligning holes in hitch mounting plates with existing weldnuts.
- 3) Insert fasteners as shown and properly torque all fasteners to 68 lb.-ft.

PERIODICALLY CHECK THIS RECEIVER HITCH TO INSURE THAT ALL FASTENERS ARE TIGHT AND THAT ALL STRUCTURAL COMPONENTS ARE SOUND.

Curt Manufacturing Inc., warrants this product to be free of defects in material and/or workmanship at the time of retail purchase by the original purchaser. If the product is found to be defective, Curt Manufacturing Inc., may repair or replace the product, at their option, when the product is returned, prepaid, with proof of purchase. Alteration to, misuse of, or improper installation of this product voids the warranty. Curt Manufacturing Inc.'s liability is limited to repair or replacement of products found to be defective, and specifically excludes liability for incidental or consequential loss or damage.