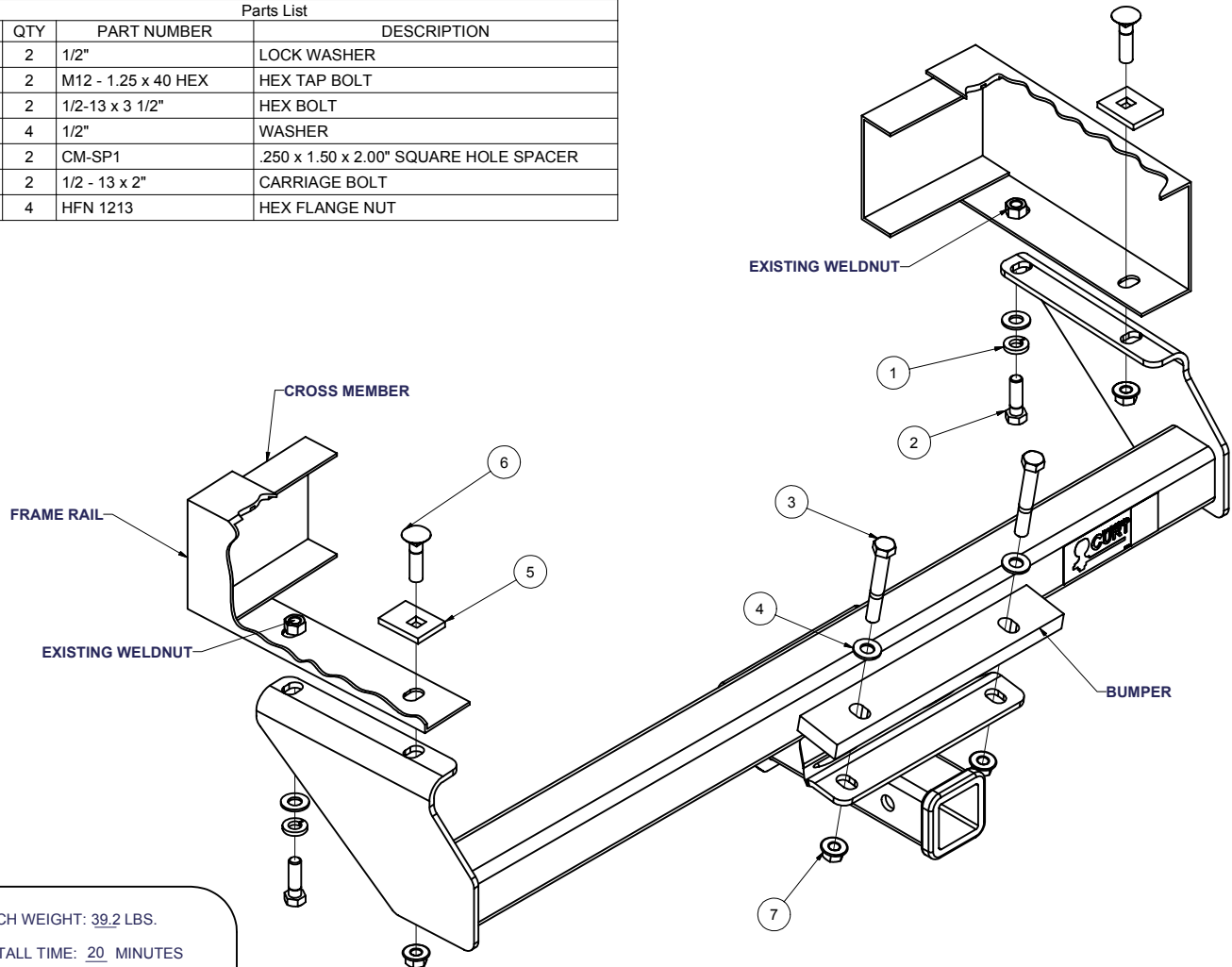


GROSS LOAD CAPACITY WHEN USED AS A WEIGHT CARRYING HITCH: 6,000 LBS. TRAILER WEIGHT & 600 LBS. TONGUE WEIGHT.
GROSS LOAD CAPACITY WHEN USED AS A WEIGHT DISTRIBUTION HITCH: 10,000 LBS. TRAILER WEIGHT & 1,000 LBS. TONGUE WEIGHT

*****DO NOT EXCEED VEHICLE MANUFACTURER'S RECOMMENDED TOWING CAPACITY.*****

Parts List			
ITEM	QTY	PART NUMBER	DESCRIPTION
1	2	1/2"	LOCK WASHER
2	2	M12 - 1.25 x 40 HEX	HEX TAP BOLT
3	2	1/2-13 x 3 1/2"	HEX BOLT
4	4	1/2"	WASHER
5	2	CM-SP1	.250 x 1.50 x 2.00" SQUARE HOLE SPACER
6	2	1/2 - 13 x 2"	CARRIAGE BOLT
7	4	HFN 1213	HEX FLANGE NUT



HITCH WEIGHT: 39.2 LBS.

INSTALL TIME: 20 MINUTES

INSTALL NOTES:

NO DRILLING REQUIRED

INSTALLATION STEPS

- 1) Remove two fascia cups on bumper and return to owner.
- 2) Raise hitch into position.
- 3) Install 2, 12mm X 40mm fine thread bolts. (hand tighten)
- 4) Install 2, 1/2" hex bolts with washers into bumper and tighten.
- 5) Install 2, 1/2" carriage bolts with square hole spacer and hex flange nut.
- 6) Torque all fasteners to 75 lb-ft.

PERIODICALLY CHECK THIS RECEIVER HITCH TO ENSURE THAT ALL FASTENERS ARE TIGHT AND THAT ALL STRUCTURAL COMPONENTS ARE SOUND.