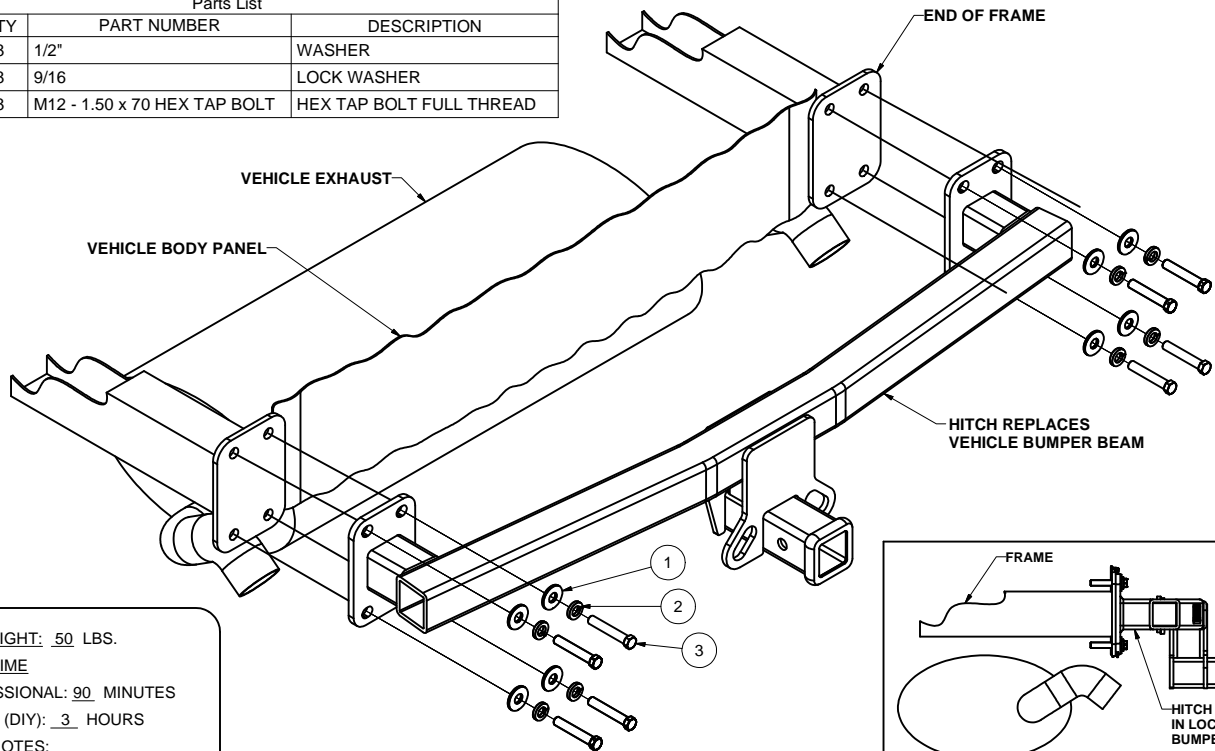


13220**PORSCHE CAYENNE, AUDI Q7 & VOLKSWAGEN TOUAREG****10/19/2009****GROSS LOAD CAPACITY WHEN USED AS A WEIGHT CARRYING HITCH: 6,000 LBS. TRAILER WEIGHT & 600 LBS. TONGUE WEIGHT.*******DO NOT EXCEED VEHICLE MANUFACTURER'S RECOMMENDED TOWING CAPACITY.*******WARNING: ALL NON-TRAILER LOADS APPLIED TO THIS PRODUCT MUST BE SUPPORTED BY AUXILIARY STABILIZING STRAPS.****** FAILURE TO PROPERLY SUPPORT NON-TRAILER LOADS WILL VOID PRODUCT WARRANTY******HAVING INSTALLATION QUESTIONS? CALL TECHNICAL SUPPORT AT 1-800-798-0813**

| Parts List | | | |
|------------|-----|------------------------------|--------------------------|
| ITEM | QTY | PART NUMBER | DESCRIPTION |
| 1 | 8 | 1/2" | WASHER |
| 2 | 8 | 9/16 | LOCK WASHER |
| 3 | 8 | M12 - 1.50 x 70 HEX TAP BOLT | HEX TAP BOLT FULL THREAD |

**HITCH WEIGHT: 50 LBS.****INSTALL TIME**PROFESSIONAL: 90 MINUTESNOVICE (DIY): 3 HOURS**INSTALL NOTES:**

- FASCIA REMOVAL TRIMMING ON CAYENNE AND Q7
- TAIL LIGHT REMOVAL

INSTALLATION STEPS**For Audi Q7:**

Remove each of the (4) torx head screws on each side of the wheel well and the (4) 10mm nuts located inside the spare tire well. (Use a 10mm deep socket and extension to remove the nuts. Secure socket to extension to prevent the socket from falling in the body of the vehicle.) Remove the panel in the center of the bumper.

- 1) Remove the vehicle tail lights (Touareg and Cayenne only) by locating two screws each side on the inside of the hatch opening. With the screws removed pull straight back on the lens to release the ball clip.
- 2) Remove the twenty four bumper fascia attachment screws and slide the fascia rearward.
Cayenne requires fascia trimming
- 3) Remove the eight M12 bolts attaching the steel bumper beam to the rear of the vehicle. **(Note: The foam pad on top of the bumper beam will be re-installed on the hitch.)**
- 4) Install the hitch using the M12 bolts and the washers provided.
(For vehicles with M14 fasteners, use existing hardware)
- 5) With hitch installed re-assemble fascia and re-install tail lights.

NOTE: For Audi Q7, trim panel removed earlier to refit panel onto vehicle.

- 7) Torque all 12M fasteners to 65 lb-ft.
PERIODICALLY CHECK THIS RECEIVER HITCH TO ENSURE THAT ALL FASTENERS ARE TIGHT AND THAT ALL STRUCTURAL COMPONENTS ARE SOUND.

Curt Manufacturing Inc., warrants this product to be free of defects in material and/or workmanship at the time of retail purchase by the original purchaser. If the product is found to be defective, Curt Manufacturing Inc., may repair or replace the product, at their option, when the product is returned, prepaid, with proof of purchase. Alteration to, misuse of, or improper installation of this product voids the warranty. Curt Manufacturing Inc.'s liability is limited to repair or replacement of products found to be defective, and specifically excludes liability for incidental or consequential loss or damage.