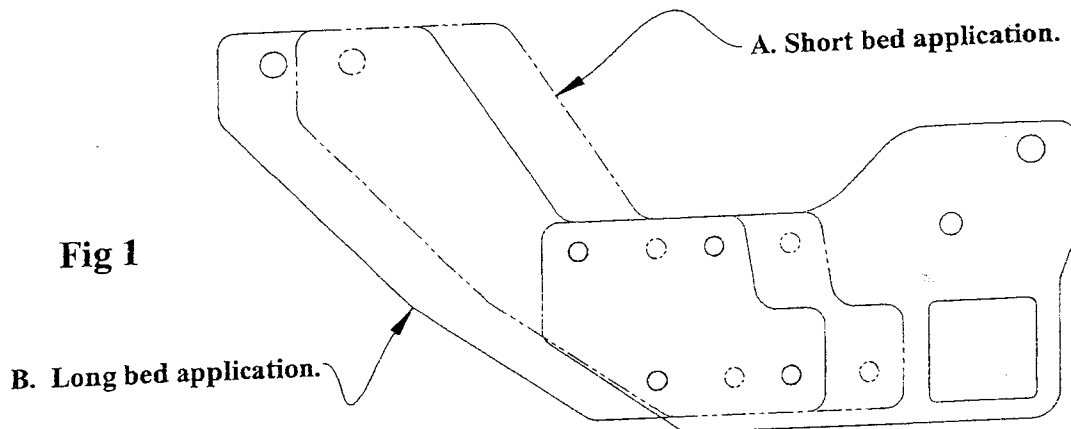




25211 Dodge Hitch Installation

1. Assemble End Plate Extensions on **OUTSIDE** of End Plates.
 - A. Short Bed Trucks: Assemble with (4) – 7/16 fasteners provided. Mount in the Short position. See Fig. 1
 - B. Long Bed Trucks: Assemble with (4)– 7/16 fasteners provided. Mount in the Long position. See Fig. 1



2. Temporarily remove spare tire during installation. Must use Factory tool or a Long 1/2" socket extension to lower the tire.
3. Gently pry and disengage plastic snap fasteners holding factory wiring loom to frame, bumper brackets and bumper cross member.
4. From underneath the bumper gently compress and push up on (4) plastic tabs holding plastic bumper cover in place. Pry the cover high enough to access the 2 holes just outboard of the center hole.
5. 2500/3500 Models ONLY. Remove lower rear bolt, which fastens the U shaped bumper bracket to the chassis on each side. (M14 Bolt goes through bushed hole in chassis)
6. Lift Hitch into place and install fasteners. Hitch Mounts to the inside of bumper brackets and vehicle chassis. Bolts go in horizontally.
 - A. Install forward 5/8 x 5 bolts and bushing (7/8 x 2-11/16) each side which attach the End Plate to the Chassis through the 1" slotted hole

in chassis. **CAUTION:** Be careful that Bushing is properly engaged in chassis.

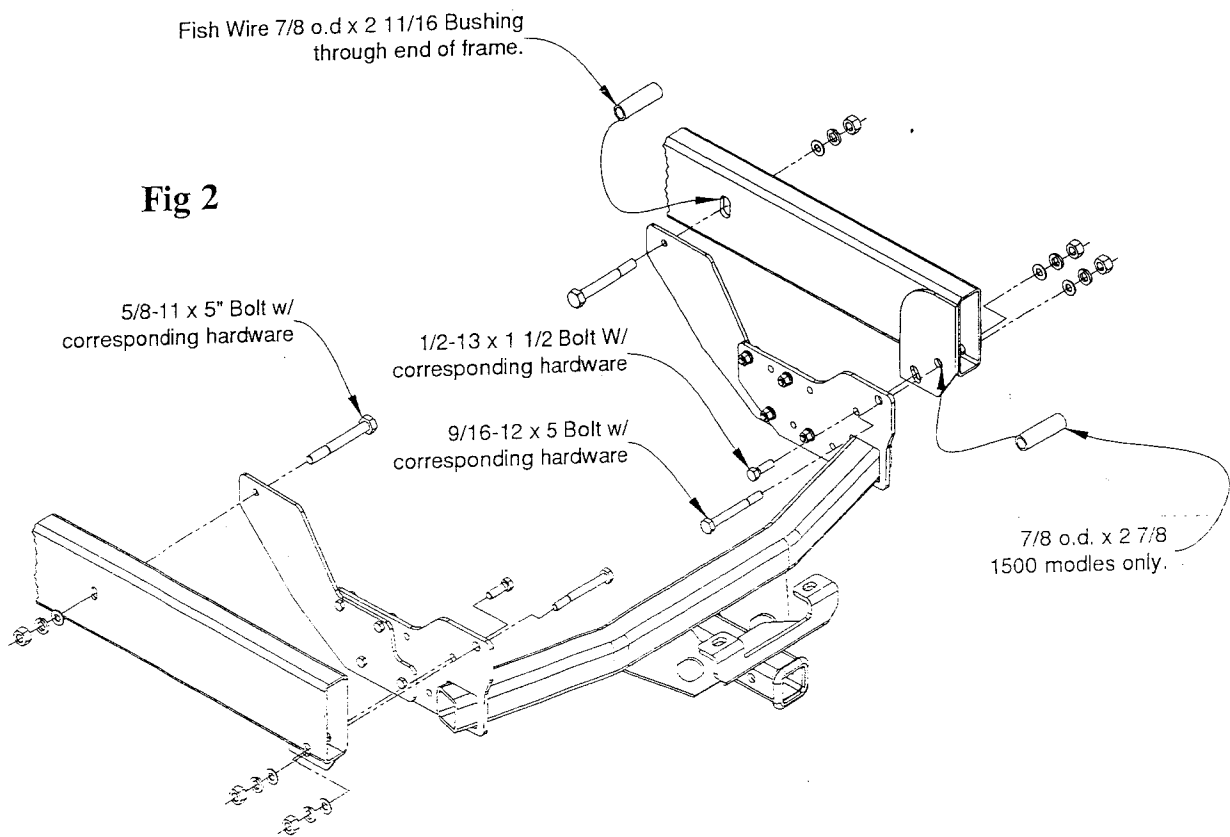
- B. Rotate Hitch up into positions and install rear 9/16 x 5 bolts through bumper bracket. NOTE: 1500 Models will require placement of Putnam supplied bushing (7/8 x 2-7/8) between each side of bumper bracket to keep the bracket from crushing when the bolts are tightened. See Fig. 2
 - C. Install 1/2 x 1-1/2 bolts through endplate and into slotted holes in bumper bracket.
 - D. Install 5/8" flathead fasteners from top of bumper through the hitch to bumper bracket. See Fig. 3
 - E. Tighten and Torque all fasteners as required.
7. Re Attach wiring loom with factory fasteners where possible and use additional tie wraps as necessary.
 8. Reinstall Spare Tire. May have to gently push forward , on some tires, while winching up. Check clearance with differential, brake lines, and vent hose.
 9. Align push tabs on plastic bumper cover with slots in bumper and push cover back in place.

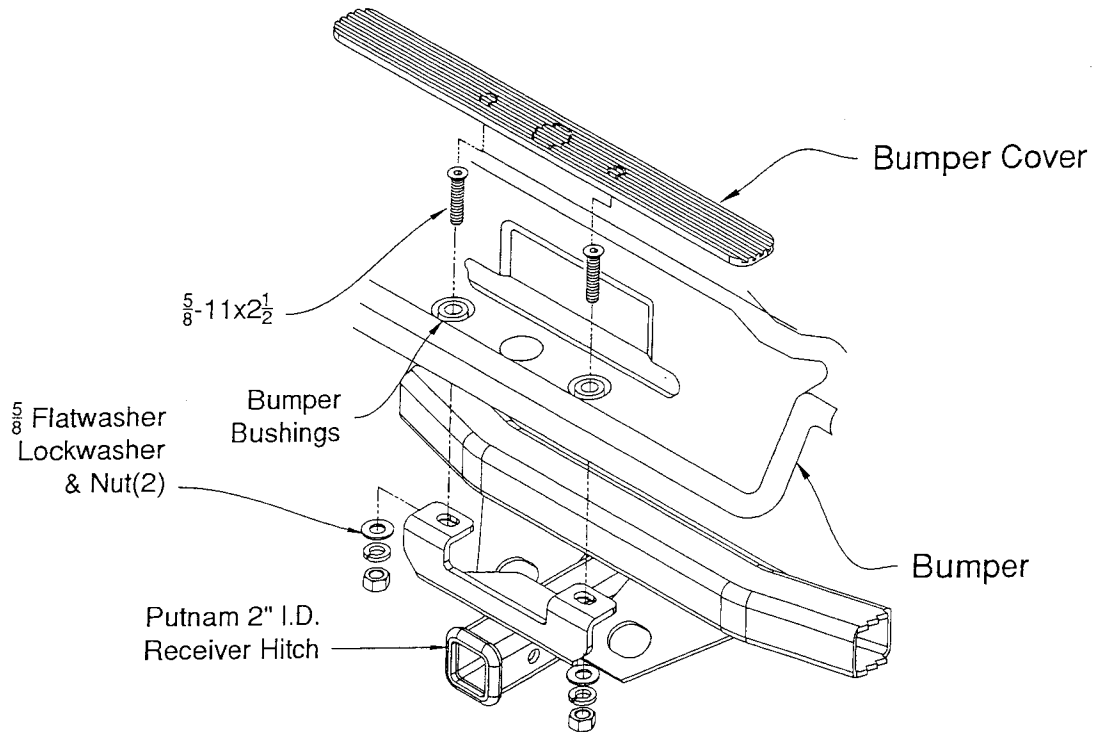
By Fatso

Application: All 2003 Dodge trucks 1500/2500/3500 made after 11/1/2002

NO DRILL

Will NOT Fit Models with Factory Receiver.





Hardware List

- | | |
|--|--|
| 2 - 1/2-13 Hex Nut | 2 - 5/8"-11 x 2 1/2" Flat Head Bolt |
| 2 - 1/2" Lock Washers | 2 - 5/8"-11 x 5 Bolt |
| 2 - 1/2" Flat Washers | 4 - 5/8"-11 Hex Nut |
| 2 - 1/2"-13 x 1 1/2" Bolt | 4 - 5/8" Lock Washer |
| 2 - 9/16"-12 Hex Nut | 4 - 5/8" Flat Washer |
| 2 - 9/16" Lock Washer | 8 - 7/16" Hex Nut |
| 2 - 9/16" Flat Washer | 8 - 7/16" Lock Washer |
| 2 - 9/16"-12 x 5" Bolt | 8 - 7/16"-14 x 1 1/4" Bolt |
| 2 - 7/8 o.d. x 5/8 i.d. x 2 11/16
Spacer Tube | 2 - 7/8 o.d. x 5/8 i.d. x 2 7/8
Spacer Tube |

!!!Warning!!!

Although this hitch is designed to safely carry the loads specified. Under no circumstances do we recommend exceeding the vehicle or hitch towing capabilities. Always use safety chains and travel at a safe speed.